

MODEL NO.	STANDARD PUMP DIMENSIONS						SUCTION		DISCHARGE		PUMP
	A	B	D	E	G	U*	SIZE	M	SIZE	M1	Wt. Lb.
A1B	22.59	7.00	3.54	6.69	4.88	20	1.50	5.00	1.50	5.00	45
A2B	27.09	11.50	3.54	6.69	4.88	20	1.50	5.00	1.50	5.00	48
A1C	25.72	9.31	3.54	6.69	4.88	20	2.00	6.00	2.00	6.00	55
A2C	30.97	14.56	3.54	6.69	4.88	20	2.00	6.00	2.00	6.00	58
A4B	43.89	23.50	4.49	8.44	6.00	30	2.50	7.00	1.50	6.12	90
A1D	32.20	11.81	4.49	8.44	6.00	30	2.50	7.00	2.50	7.00	90
A2D	39.27	18.88	4.49	8.44	6.00	30	2.50	7.00	2.50	7.00	97
A4C	48.64	27.88	4.49	8.44	6.00	30	3.00	7.50	2.00	6.50	115
A1E	35.64	14.88	4.49	8.44	6.00	30	3.00	7.50	3.00	7.50	105
A2E	44.45	23.69	4.49	8.44	6.00	30	3.00	7.50	3.00	7.50	120
A4D	67.56	41.44	5.51	10.25	7.50	40	4.00	9.00	2.50	7.50	220
A1F	49.37	23.25	5.51	10.25	7.50	40	4.00	9.00	4.00	9.00	200
A2F	60.43	34.31	5.51	10.25	7.50	40	4.00	9.00	4.00	9.00	225
A4E	78.87	50.25	5.51	11.00	7.50	40	4.00	9.00	3.00	8.25	285

All dimensions in inches (unless noted otherwise).

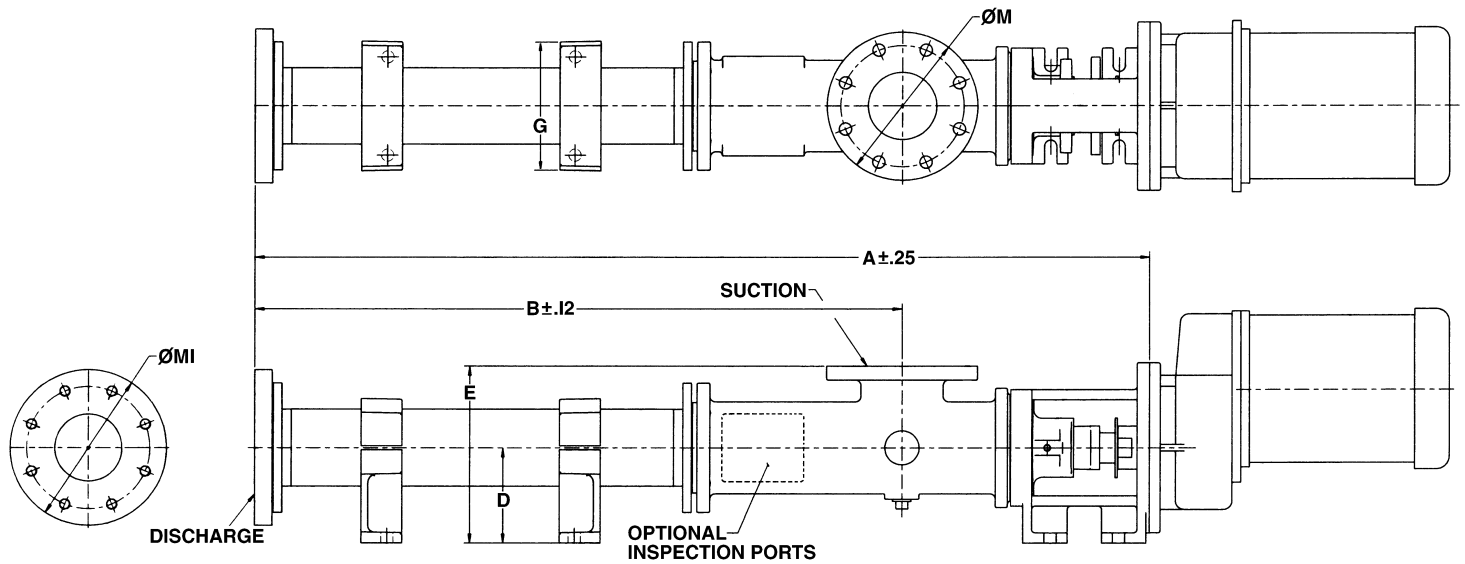
\* Dimensions in millimeters.



Always the Right Solution™

Section: Moyno® 1000  
DIMENSION  
SHEET

Page: 2 of 3  
Date: February 2009



MODEL NO.	STANDARD PUMP DIMENSIONS					SUCTION		DISCHARGE		PUMP
	A	B	D	E	G	Size	M	Size	M1	Wt. Lb.
B1B	16.50	7.00	3.54	6.69	4.88	1.50	5.00	1.50	5.00	40
B2B	21.00	11.50	3.54	6.69	4.88	1.50	5.00	1.50	5.00	43
B1C	19.63	9.31	3.54	6.69	4.88	2.00	6.00	2.00	6.00	50
B2C	24.88	14.56	3.54	6.69	4.88	2.00	6.00	2.00	6.00	53
B4B	34.38	23.50	4.49	8.44	6.00	2.50	7.00	1.50	6.12	80
B1D	22.69	11.81	4.49	8.44	6.00	2.50	7.00	2.50	7.00	80
B2D	29.75	18.88	4.49	8.44	6.00	2.50	7.00	2.50	7.00	87
B4C	39.13	27.88	4.49	8.44	6.00	3.00	7.50	2.00	6.50	105
B1E	26.13	14.88	4.49	8.44	6.00	3.00	7.50	3.00	7.50	95
B2E	34.94	23.69	4.49	8.44	6.00	3.00	7.50	3.00	7.50	110
B4D	55.72	41.44	5.51	10.25	7.50	4.00	9.00	2.50	7.50	195
B1F	37.53	23.25	5.51	10.25	7.50	4.00	9.00	4.00	9.00	175
B2F	48.60	34.31	5.51	10.25	7.50	4.00	9.00	4.00	9.00	200
B4E	67.03	50.25	5.51	11.00	7.50	4.00	9.00	3.00	8.25	255

All dimensions in inches.

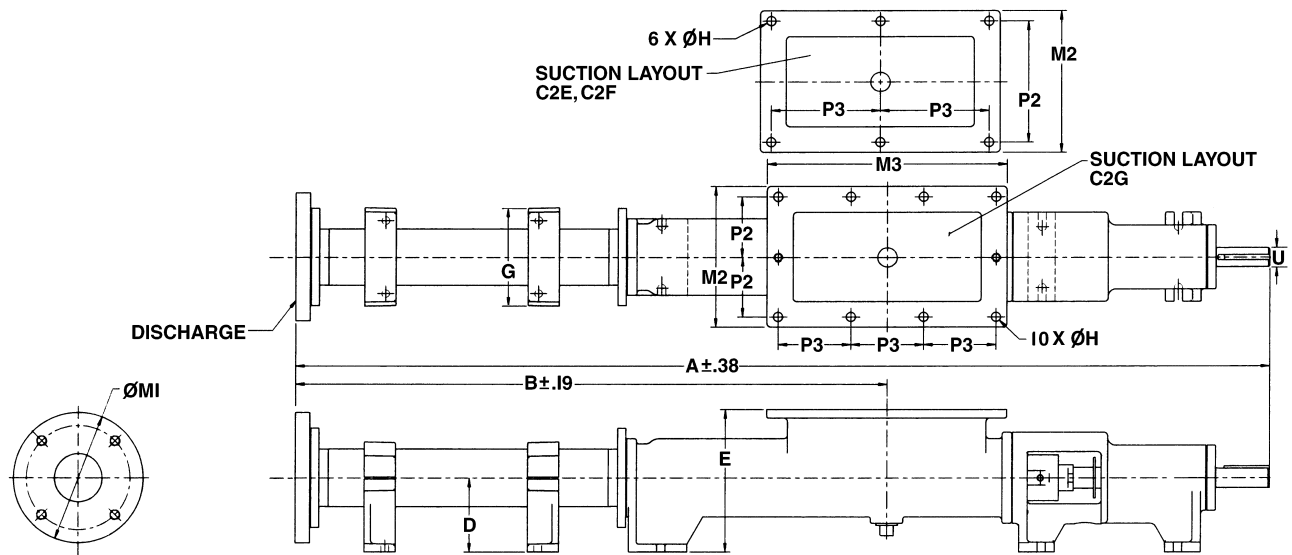


Always the Right Solution™

Section: Moyno® 1000  
DIMENSION  
SHEET

Page: 3 of 3

Date: February 2009



SUCTION FLANGE DIMENSIONS						
PUMP SIZE	SUCTION SIZE	M2	P2	M3	P3	H
E	5.51 X 11.42	8.66	7.40	14.56	6.61	6 X .56
F	6.30 X 13.78	10.24	8.98	17.72	8.27	6 X .56
G	7.40 X 15.74	11.58	5.20	19.92	6.22	8 X .56 2 X .500-13 UNC

MODEL NO.	STANDARD PUMP DIMENSIONS						DISCHARGE		PUMP
	A	B	D	E	G	U*	Size	M1	Wt. Lb.
C2E	56.89	33.56	4.49	8.62	6.00	30	3.00	7.50	185
C2F	70.80	40.88	5.51	10.25	7.50	40	4.00	9.00	310
C2G	80.41	49.38	5.51	10.25	7.50	40	4.00	9.00	450

All dimensions in inches (unless noted otherwise).

\* Dimensions in millimeters.