

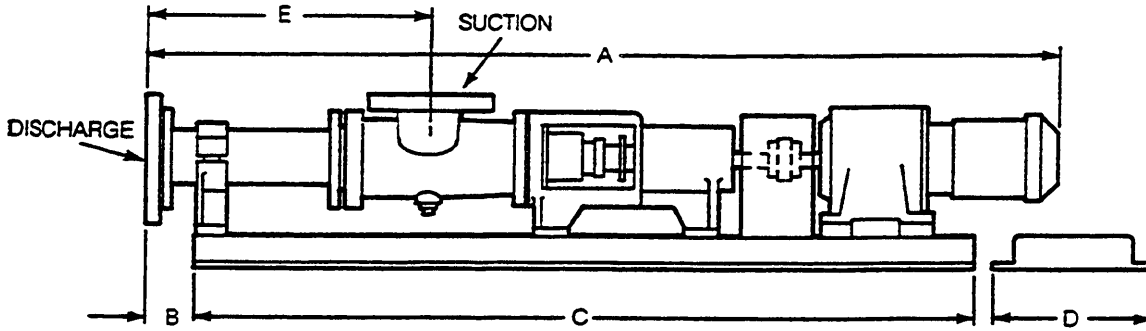


Always the Right Solution™ □

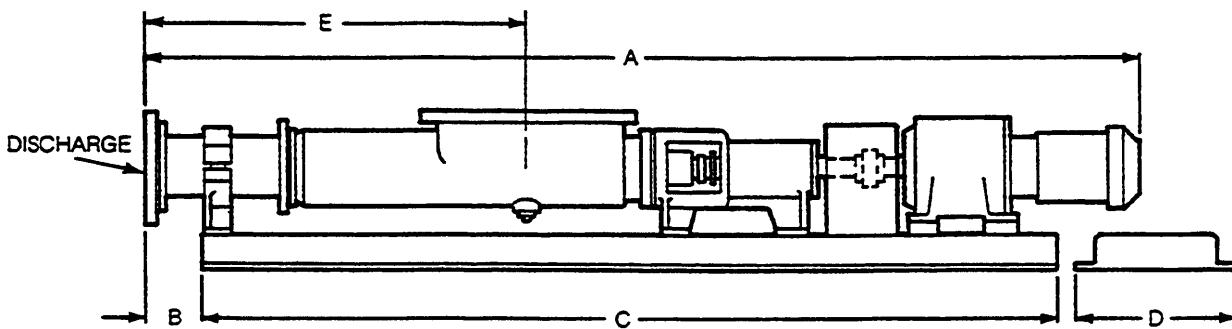
Section: Moyno® 1000
 REFERENCE
 DRAWINGS
 Page: 1 of 2
 Date: February 2009

PUMP, DRIVE, AND BASE DIMENSIONS — MOYNO® 1000 PUMPS

IN-LINE GEARMOTOR ARRANGEMENT*



| MODEL | A | B | C | D | E | SUCTION | DISC. | MODEL | A | B | C | D | E | SUCTION | DISC. |
|-------|-----|---|-----|----|-------|---------|-------|-------|-----|----|-----|----|-------|---------|-------|
| A1B | 43 | 1 | 51 | 21 | 7.00 | 1.50 | 1.50 | A2F | 90 | 11 | 89 | 23 | 34.31 | 4.00 | 4.00 |
| A2B | 47 | 1 | 51 | 21 | 11.50 | 1.50 | 1.50 | A4F | 133 | 7 | 120 | 30 | 67.88 | 6.00 | 4.00 |
| A4B | 67 | 6 | 68 | 23 | 23.50 | 2.50 | 1.50 | A1G | 85 | 6 | 89 | 23 | 26.56 | 4.00 | 4.00 |
| A1C | 46 | 1 | 51 | 21 | 9.31 | 2.00 | 2.00 | A2G | 97 | 13 | 89 | 23 | 39.38 | 4.00 | 4.00 |
| A2C | 51 | 1 | 51 | 21 | 14.56 | 2.00 | 2.00 | A4G | 140 | 6 | 144 | 32 | 75.05 | 6.00 | 6.00 |
| A4C | 72 | 3 | 68 | 23 | 27.88 | 3.00 | 2.00 | A1H | 101 | 6 | 101 | 26 | 36.31 | 6.00 | 6.00 |
| A1D | 56 | 3 | 51 | 21 | 11.81 | 2.50 | 2.50 | A2H | 116 | 14 | 101 | 26 | 50.81 | 6.00 | 6.00 |
| A2D | 63 | 6 | 68 | 23 | 18.88 | 2.50 | 2.50 | A1J | 106 | 11 | 101 | 26 | 41.69 | 6.00 | 6.00 |
| A4D | 97 | 5 | 89 | 23 | 41.44 | 4.00 | 2.50 | A2J | 126 | 7 | 120 | 30 | 61.50 | 6.00 | 6.00 |
| A1E | 59 | 3 | 51 | 21 | 14.88 | 3.00 | 3.00 | A1K | 113 | 12 | 101 | 26 | 48.38 | 6.00 | 6.00 |
| A2E | 68 | 5 | 68 | 23 | 23.69 | 3.00 | 3.00 | A2K | 139 | 12 | 144 | 32 | 74.91 | 6.00 | 6.00 |
| A4E | 108 | 8 | 101 | 26 | 50.25 | 4.00 | 3.00 | A1L | 133 | 12 | 144 | 32 | 68.28 | 6.00 | 6.00 |
| A1F | 79 | 4 | 89 | 23 | 23.25 | 4.00 | 4.00 | | | | | | | | |



| MODEL | A | B | C | D | E | DISC. |
|-------|-----|----|-----|----|-------|-------|
| C2E | 80 | 8 | 68 | 23 | 33.56 | 3.00 |
| C2F | 100 | 11 | 89 | 23 | 40.88 | 4.00 |
| C2G | 110 | 13 | 101 | 26 | 49.38 | 4.00 |

*DIMENSIONS FOR ESTIMATION PURPOSES ONLY.
 ACTUAL DIM. DEPENDS ON DRIVE SELECTED.

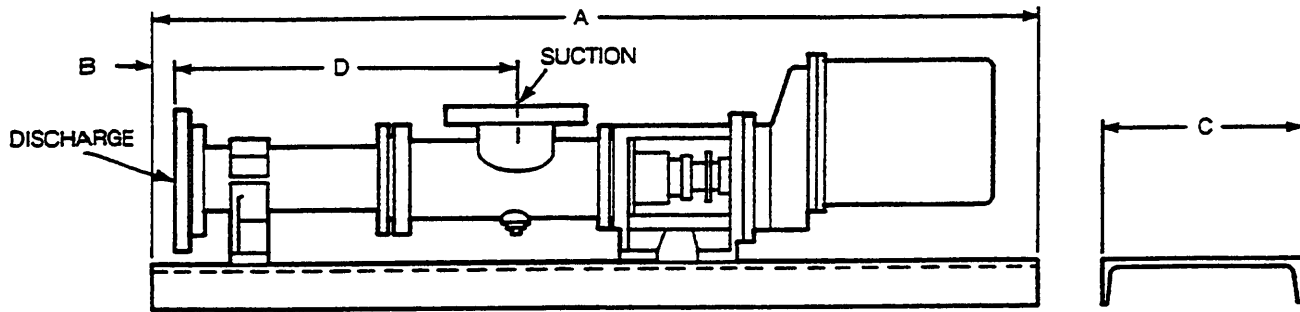


Always the Right Solution™

Section: Moyno® 1000
REFERENCE
DRAWINGS
Page: 2 of 2
Date: February 2009

PUMP, DRIVE, AND BASE DIMENSIONS — MOYNO® 1000 PUMPS

CLOSE-COUPLED ARRANGEMENT*



| MODEL | A | B | C | D | SUCTION | DISC. |
|-------|-----|------|----|-------|---------|-------|
| B1B | 48 | 2.75 | 10 | 7.00 | 1.50 | 1.50 |
| B2B | 48 | 2.75 | 10 | 11.50 | 1.50 | 1.50 |
| B4B | 72 | 4.00 | 12 | 23.50 | 2.50 | 1.50 |
| B1C | 48 | 2.88 | 10 | 9.31 | 2.00 | 2.00 |
| B2C | 56 | 2.88 | 10 | 14.56 | 2.00 | 2.00 |
| B4C | 81 | 2.62 | 12 | 27.88 | 3.00 | 2.00 |
| B1D | 58 | 3.62 | 12 | 11.81 | 2.50 | 2.50 |
| B2D | 70 | 3.62 | 12 | 18.88 | 2.50 | 2.50 |
| B4D | 101 | 3.25 | 12 | 41.44 | 4.00 | 2.50 |
| B1E | 66 | 3.50 | 12 | 14.88 | 3.00 | 3.00 |
| B2E | 75 | 3.62 | 12 | 23.69 | 3.00 | 3.00 |
| B4E | 113 | 4.25 | 15 | 50.25 | 4.00 | 3.00 |
| B1F | 81 | 3.25 | 12 | 23.25 | 4.00 | 4.00 |
| B2F | 90 | 4.25 | 15 | 34.31 | 4.00 | 4.00 |

*DIMENSIONS FOR ESTIMATION PURPOSES ONLY.
SPECIFIC DRAWINGS FOR PUMP AND CHANNEL BASE ARE AVAILABLE WITH MOUNTING DIMENSIONS.
CONSULT FACTORY.