

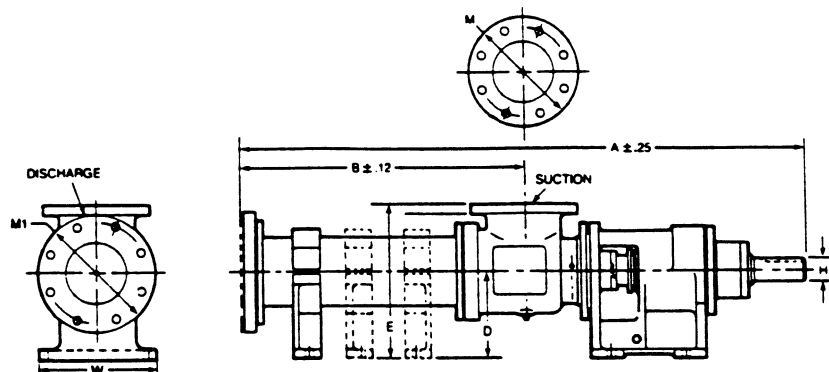


Always the Right Solution™

Section: Moyno® 2000 Pumps
G1 DIMENSION SHEET

Page: 1 of 2

Date: December 2008



MODEL NO.	STANDARD PUMP DIMENSIONS						SUCTION FLANGE DATA		DISCHARGE FLANGE DATA		APPROX. WEIGHT LBS.
	A	B	D	E	H	W	SIZE	M	SIZE	M1	
4E008	63.50	37.62	6.00	11.50	1.88	8.00	4	9.00	4	10.00	375
6E008	79.50	53.62	6.00	11.50	1.88	8.00	4	9.00	4	10.00	425
1E012	42.00	16.12	6.00	11.50	1.88	8.00	4	9.00	4	9.00	300
2E012	53.12	27.25	6.00	11.50	1.88	8.00	4	9.00	4	9.00	325
4E012	75.62	49.75	6.00	11.50	1.88	8.00	4	9.00	4	10.00	380
1E022	43.31	17.19	6.00	12.50	1.88	8.00	6	11.00	6	11.00	330
2E022	56.19	30.06	6.00	12.50	1.88	8.00	6	11.00	6	11.00	370
4E022	82.94	56.81	6.00	12.50	1.88	8.00	6	11.00	6	11.00	500
1E036	46.09	19.50	6.00	13.00	1.88	8.00	6	11.00	6	11.00	400
2E036	60.59	34.00	6.00	13.00	1.88	8.00	6	11.00	6	11.00	465
1E050	51.53	24.93	6.00	13.00	1.88	8.00	6	11.00	6	11.00	490
2E050	71.34	44.74	6.00	13.00	1.88	8.00	6	11.00	6	11.00	515
6F012	102.38	72.50	7.00	13.50	2.12	10.00	6	11.00	4	10.75	605
4F022	86.69	56.81	7.00	13.50	2.12	10.00	6	11.00	6	12.50	675
6F022	112.19	82.31	7.00	13.50	2.12	10.00	6	11.00	6	12.50	735
2F036	63.12	34.12	7.00	14.00	2.12	10.00	6	11.00	6	11.00	560
4F036	92.12	63.12	7.00	14.00	2.12	10.00	6	11.00	6	11.00	760
2F050	73.75	44.75	7.00	14.00	2.12	10.00	6	11.00	6	11.00	610
4F050	113.50	84.50	7.00	14.00	2.12	10.00	6	11.00	6	11.00	835
1F065	54.11	23.62	7.00	15.50	2.12	10.00	8	13.50	8	13.50	580
2F065	71.98	41.49	7.00	15.50	2.12	10.00	8	13.50	8	13.50	700
1F090	60.71	30.21	7.00	15.50	2.12	10.00	8	13.50	8	13.50	620
2F090	85.21	54.71	7.00	15.50	2.12	10.00	8	13.50	8	13.50	785
6G022	116.88	84.75	9.00	16.00	2.38	11.50	6	11.00	6	14.00	915
4G036	97.06	64.94	9.00	16.00	2.38	11.50	6	11.00	6	12.50	920
6G036	125.81	93.69	9.00	16.00	2.38	11.50	6	11.00	6	12.50	1160
4G050	118.44	86.31	9.00	16.00	2.38	11.50	6	11.00	6	12.50	1020
6G050	158.19	126.06	9.00	16.00	2.38	11.50	6	11.00	6	12.50	1305
2G065	74.75	41.62	9.00	17.50	2.38	11.50	8	13.50	8	13.50	882
4G065	110.50	77.38	9.00	17.50	2.38	11.50	8	13.50	8	13.50	1210
2G090	87.88	54.75	9.00	17.50	2.38	11.50	8	13.50	8	13.50	960
4G090	136.88	103.75	9.00	17.50	2.38	11.50	8	13.50	8	13.50	1270
1G115	62.25	29.12	9.00	17.50	2.38	11.50	8	13.50	8	13.50	825
2G115	85.62	52.49	9.00	17.50	2.38	11.50	8	13.50	8	13.50	1005

NOTE: All dimensions are in inches.

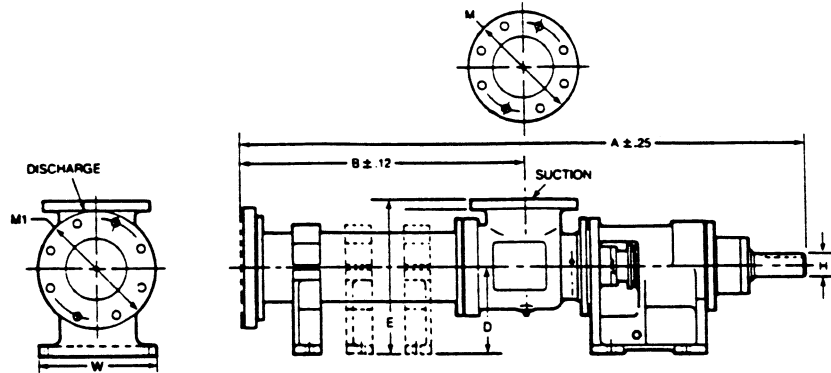


Always the Right Solution™

Section: Moyno® 2000 Pumps
G1 DIMENSION SHEET

Page: 2 of 2

Date: December 2008



MODEL NO.	STANDARD PUMP DIMENSIONS						SUCTION FLANGE DATA		DISCHARGE FLANGE DATA		APPROX. WEIGHT LBS.
	A	B	D	E	H	W	SIZE	M	SIZE	M1	
6H036	131.00	95.38	11.00	19.50	2.88	15.00	8	13.50	6	14.00	1290
6H050	163.38	127.75	11.00	19.50	2.88	15.00	8	13.50	6	14.00	1425
4H065	115.12	79.50	11.00	19.50	2.88	15.00	8	13.50	8	15.00	1390
6H065	150.62	115.00	11.00	19.50	2.88	15.00	8	13.50	8	15.00	1805
4H090	141.50	105.88	11.00	19.50	2.88	15.00	8	13.50	8	15.00	1585
2H115	89.88	54.25	11.00	19.50	2.88	15.00	8	13.50	8	13.50	1185
4H115	136.62	101.00	11.00	19.50	2.88	15.00	8	13.50	8	13.50	1660
1H175	71.33	33.74	11.00	21.50	2.88	15.00	10	16.00	10	16.00	1175
2H175	97.96	60.37	11.00	21.50	2.88	15.00	10	16.00	10	16.00	1460
6J065	155.94	116.16	11.00	19.50	3.38	15.00	8	13.50	8	16.50	2070
6J090	195.25	155.38	11.00	19.50	3.38	15.00	8	13.50	8	15.00	2305
4J115	141.88	102.00	11.00	19.50	3.38	15.00	8	13.50	8	15.00	1985
6J115	188.62	148.75	11.00	19.50	3.38	15.00	8	13.50	8	15.00	2420
2J175	101.38	60.50	11.00	21.50	3.38	15.00	10	16.00	10	16.00	1840
4J175	154.62	113.75	11.00	21.50	3.38	15.00	10	16.00	10	16.00	2560
1J220	77.75	36.87	11.00	21.50	3.38	15.00	10	16.00	10	16.00	1450
2J220	107.50	66.62	11.00	21.50	3.38	15.00	10	16.00	10	16.00	1850
1J345	94.25	53.37	11.00	21.50	3.38	15.00	10	16.00	10	16.00	1835
2J345	140.21	99.33	11.00	21.50	3.38	15.00	10	16.00	10	16.00	2395
6K115	202.06	152.25	13.00	23.50	3.88	17.00	10	16.00	8	16.50	3170
4K175	167.19	117.38	13.00	23.50	3.88	17.00	10	16.00	10	17.50	3300
6K175	220.19	170.38	13.00	23.50	3.88	17.00	10	16.00	10	17.50	3965
2K345	152.19	102.38	13.00	23.50	3.88	17.00	10	16.00	10	16.00	3090
3K345	198.31	148.50	13.00	23.50	3.88	17.00	10	16.00	10	16.00	3655
4K345	245.06	195.25	13.00	23.50	3.88	17.00	10	16.00	10	17.50	4220
1K620	140.19	90.38	13.00	23.50	3.88	17.00	10	16.00	10	16.00	2850
2K620	220.81	171.00	13.00	23.50	3.88	17.00	10	16.00	10	17.50	3740
1K800	131.62	80.75	13.00	23.50	3.88	17.00	12	19.00	14	21.00	3120
2K800	190.44	139.62	13.00	23.50	3.88	17.00	12	19.00	14	21.00	4165

NOTE: All dimensions are in inches.