

MODEL NO.	STANDARD PUMP DIMENSIONS						W1	SUCTION FLANGE		DISCHARGE FLANGE		L	EST. UNIT WT. (lb.)
	A	A1	B	D	E	W		SIZE	M	SIZE	M1		
1BB022	45.12	7.48	29.85	9.74	16.83	9.13	10.00	6.00	11.22	4.00	9.00	70.87	527
2BB022	57.93	7.48	42.66	9.74	16.83	9.13	10.00	6.00	11.22	4.00	9.00	83.68	588
1BB036	46.30	7.48	31.03	9.74	16.83	9.13	10.00	6.00	11.22	6.00	11.00	83.97	664
2BB036	60.80	7.48	45.53	9.74	16.83	9.13	10.00	6.00	11.22	6.00	11.00	98.47	754
1BB050	51.73	7.48	36.46	9.74	16.83	9.13	10.00	6.00	11.22	6.00	11.00	89.40	694
2BB050	71.55	7.48	56.28	9.74	16.83	9.13	10.00	6.00	11.22	6.00	11.00	93.95	817
1BB065	58.73	9.45	41.02	12.05	20.71	11.22	12.00	8.00	13.50	8.00	13.50	90.93	1044
2BB065	76.61	9.45	58.90	12.05	20.71	11.22	12.00	8.00	13.50	8.00	13.50	108.81	1201
1BB090	65.36	9.45	47.65	12.05	20.71	11.22	12.00	8.00	13.50	8.00	13.50	97.56	1103
2BB090	89.86	9.45	72.15	12.05	20.71	11.22	12.00	8.00	13.50	8.00	13.50	122.06	1319
1BB115	64.23	9.45	46.52	12.05	20.71	11.22	12.00	8.00	13.50	8.00	13.50	100.53	1200
2BB115	87.61	9.45	69.90	12.05	20.71	11.22	12.00	8.00	13.50	8.00	13.50	123.91	1424
1BA175	75.99	9.45	56.31	12.40	22.64	14.25	15.00	10.00	16.00	10.00	16.00	112.29	1565
1BA220	79.11	9.45	59.44	12.40	22.64	14.25	15.00	10.00	16.00	10.00	16.00	115.51	1619
1BB175	77.33	12.20	59.31	12.40	22.64	14.25	15.00	10.00	16.00	10.00	16.00	116.83	1758
2BB175	103.95	12.20	82.94	12.40	22.64	14.25	15.00	10.00	16.00	10.00	16.00	143.45	2108
1BB220	80.45	12.20	59.44	12.40	22.64	14.25	15.00	10.00	16.00	10.00	16.00	119.95	1822
2BB220	110.20	12.20	89.19	12.40	22.64	14.25	15.00	10.00	16.00	10.00	16.00	149.70	2236
1BB345	96.83	12.20	75.81	12.40	22.64	14.25	15.00	10.00	16.00	10.00	16.00	136.33	1947
1BC175	77.33	12.20	56.31	14.40	24.64	14.25	15.00	10.00	16.00	10.00	16.00	121.98	2173
2BC175	103.95	12.20	82.94	14.40	24.64	14.25	15.00	10.00	16.00	10.00	16.00	148.60	2523
1BC220	80.45	12.20	59.44	14.40	24.64	14.25	15.00	10.00	16.00	10.00	16.00	125.10	2237
2BC220	110.20	12.20	89.19	14.40	24.64	14.25	15.00	10.00	16.00	10.00	16.00	154.85	2651
1BC345	96.83	12.20	75.81	14.40	24.64	14.25	15.00	10.00	16.00	10.00	16.00	141.48	2362

Dimensions are in inches. Weight shown includes pump and estimated drive weight.

\*\* Actual dimension will vary depending on drive selection.

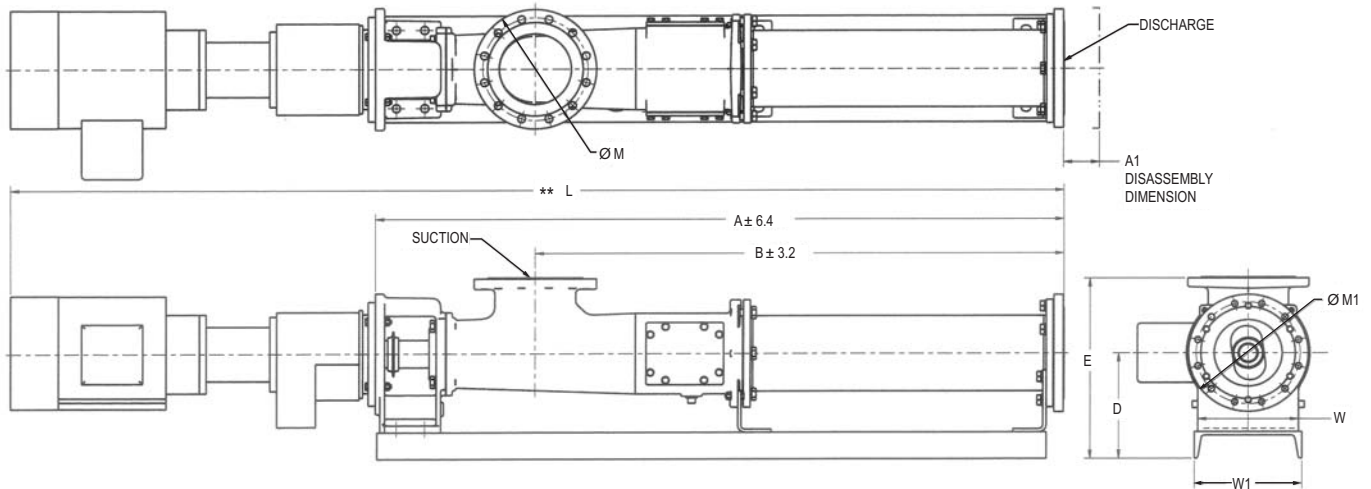


Always the Right Solution™

Section: Moyno® 2000 CC Pumps  
DIMENSION SHEET

Page: 2 of 2

Date: November 2004



MODEL NO.	STANDARD PUMP DIMENSIONS						W1	SUCTION FLANGE		DISCHARGE FLANGE		L	EST. UNIT WT. (kg.)
	A	A1	B	D	E	W		SIZE	M	SIZE	M1		
1BB022	1133.0	190.0	745.2	247.4	427.5	232.0	254.0	150-NP16	285.0	125-NP16	250.0	1800.0	239
2BB022	1458.4	190.0	1070.6	247.4	427.5	232.0	254.0	150-NP16	285.0	125-NP16	250.0	2126.0	267
1BB036	1172.5	190.0	784.7	247.4	427.5	232.0	254.0	150-NP16	285.0	150-NP16	285.0	2130.0	301
2BB036	1540.8	190.0	1153.0	247.4	427.5	232.0	254.0	150-NP16	285.0	150-NP16	285.0	2498.0	342
1BB050	1310.6	190.0	922.8	247.4	427.5	232.0	254.0	150-NP16	285.0	150-NP16	285.0	2268.0	315
2BB050	1813.9	190.0	1426.1	247.4	427.5	232.0	254.0	150-NP16	285.0	150-NP16	285.0	2771.0	371
1BB065	1491.8	240.0	1042.0	306.1	526.0	285.0	304.8	200-NP16	343.0	200-NP16	340.0	2310.0	474
2BB065	1945.8	240.0	1496.0	306.1	526.0	285.0	304.8	200-NP16	343.0	200-NP16	340.0	2764.0	545
1BB090	1660.1	240.0	1210.3	306.1	526.0	285.0	304.8	200-NP16	343.0	200-NP16	340.0	2478.0	500
2BB090	2282.4	240.0	1832.6	306.1	526.0	285.0	304.8	200-NP16	343.0	200-NP16	340.0	3101.0	598
1BB115	1631.5	240.0	1181.7	306.1	526.0	285.0	304.8	200-NP16	343.0	200-NP16	340.0	2554.0	544
2BB115	2225.2	240.0	1775.4	306.1	526.0	285.0	304.8	200-NP16	343.0	200-NP16	340.0	3147.0	646
1BA175	1930.1	310.0	1430.3	315.0	575.1	362.0	381.0	250-NP16	406.4	250-NP16	406.4	2852.0	710
1BA220	2009.5	310.0	1509.7	315.0	575.1	362.0	381.0	250-NP16	406.4	250-NP16	406.4	2932.0	734
1BB175	1964.1	310.0	1430.3	315.0	575.1	362.0	381.0	250-NP16	406.4	250-NP16	406.4	2967.0	797
2BB175	2640.4	310.0	2106.6	315.0	575.1	362.0	381.0	250-NP16	406.4	250-NP16	406.4	3644.0	956
1BB220	2043.5	310.0	1509.7	315.0	575.1	362.0	381.0	250-NP16	406.4	250-NP16	406.4	3047.0	826
2BB220	2799.1	310.0	2265.3	315.0	575.1	362.0	381.0	250-NP16	406.4	250-NP16	406.4	3802.0	1014
1BB345	2459.4	310.0	1925.6	315.0	575.1	362.0	381.0	250-NP16	406.4	250-NP16	406.4	3463.0	883
1BC175	1964.1	310.0	1430.3	365.8	625.9	362.0	381.0	250-NP16	406.4	250-NP16	406.4	3098.0	986
2BC175	2640.4	310.0	2106.6	365.8	625.9	362.0	381.0	250-NP16	406.4	250-NP16	406.4	3775.0	1144
1BC220	2043.5	310.0	1509.7	365.8	625.9	362.0	381.0	250-NP16	406.4	250-NP16	406.4	3178.0	1015
2BC220	2799.1	310.0	2265.3	365.8	625.9	362.0	381.0	250-NP16	406.4	250-NP16	406.4	3933.0	1202
1BC345	2459.4	310.0	1925.6	365.8	625.9	362.0	381.0	250-NP16	406.4	250-NP16	406.4	3594.0	1071

Dimensions are in millimeters. Weight shown includes pump and estimated drive weight.

\*\* Actual dimension will vary depending on drive selection.