

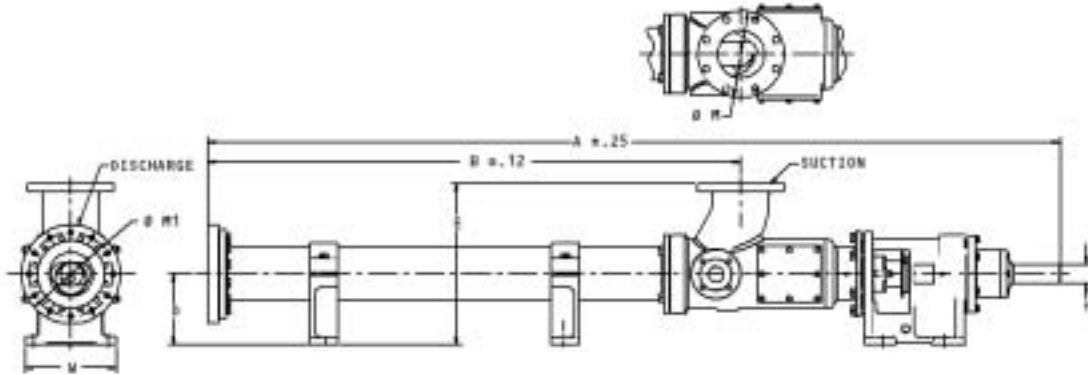


Always the Right Solution™

Section: Moyno® 2000 Pumps
G4 DIMENSION SHEET

Page: 1 of 1

Date: October 2003



G4 Bare Pump Dimensions
Enhanced Auger Feed on Rotor

FRAME SIZE	STANDARD PUMP DIMENSIONS						SUCTION FLANGE DATA		DISCHARGE FLANGE DATA		APPROX. WEIGHT LBS.
	A	B	D	E	H	W	SIZE	M	SIZE	M1	
2F012G4	67.88	30.81	7.0	18.00	2.125	10.00	6	11.00	4	9.00	535
4F012G4	90.38	53.31	7.0	18.00	2.125	10.00	6	11.00	4	10.00	625
6F012G4	112.88	75.81	7.0	18.00	2.125	10.00	6	11.00	4	10.75	685
2F022G4	71.00	33.93	7.0	18.00	2.125	10.00	6	11.00	6	11.00	575
4F022G4	97.19	60.12	7.0	18.00	2.125	10.00	6	11.00	6	12.50	725
6G022G4	127.54	87.19	9.0	20.50	2.375	11.50	6	11.00	6	14.00	950
2G036G4	78.28	37.94	9.0	20.50	2.375	11.50	6	11.00	6	11.00	750
4G036G4	107.72	67.38	9.0	20.50	2.375	11.50	6	11.00	6	12.50	925
2G050G4	89.03	48.69	9.0	20.50	2.375	11.50	6	11.00	6	11.00	825
4G050G4	129.22	88.88	9.0	20.50	2.375	11.50	6	11.00	6	12.50	1025
6H036G4	141.90	99.00	11.0	25.00	2.875	15.00	8	13.50	6	14.00	1425
6H050G4	174.40	131.50	11.0	25.00	2.875	15.00	8	13.50	6	14.00	1550
2H065G4	89.77	46.87	11.0	25.00	2.875	15.00	8	13.50	8	13.50	1175
4H065G4	126.02	83.12	11.0	25.00	2.875	15.00	8	13.50	8	15.00	1475
2H090G4	103.02	60.12	11.0	25.00	2.875	15.00	8	13.50	8	13.50	1300
4H090G4	152.52	109.52	11.0	25.00	2.875	15.00	8	13.50	8	15.00	1725
6J065G4	167.75	119.00	11.0	25.00	3.375	15.00	8	13.50	8	16.50	2175
6J090G4	207.18	158.43	11.0	25.00	3.375	15.00	8	13.50	8	15.00	2400
2J115G4	106.43	57.68	11.0	25.00	3.375	15.00	8	13.50	8	13.50	1675
4J115G4	153.68	104.93	11.0	25.00	3.375	15.00	8	13.50	8	15.00	2125
6K115G4	218.08	154.62	13.0	29.00	3.875	17.00	10	16.00	8	16.50	3275

NOTE: All dimensions are in inches.